

MP-HD

The Acker **MP-HD** is a heavy duty, all-hydraulic drill rig designed specifically for Deep Hole Coring and Reverse Circulation applications.

- 1,400 RPM Drill Head
- 14 ft. Stroke [4.26 m]
- 40,000 lb. [178 kN] Pullback/Thrust
- 18,000 lb. [80 kN] Main Hoist
- Many available options.



Power Source -

Diesel Engine for Truck-Mounted Rig -- (6) cylinder turbo, 230 HP @ 2,200 RPM. 6.8 L.

Diesel Engine for Skid-Mounted Rig -- (4) cylinder turbo, 150 HP @ 2,200 RPM. 4.5 L

Drill Head -

Up to 3,770 ft. lbs. [5,111 N-m] of "Working Torque" and 1,400 RPM. 4-5/8" [117 mm] spindle bore accepts all rod and casing up to "P" wireline or "H" casing. Eight (8) infinitely variable speeds, forward or reverse. Hydraulically operated "sliding" drill head provides clearance for tool handling. Drill head speeds are from 0 to maximum in each gear range.

Feed System -

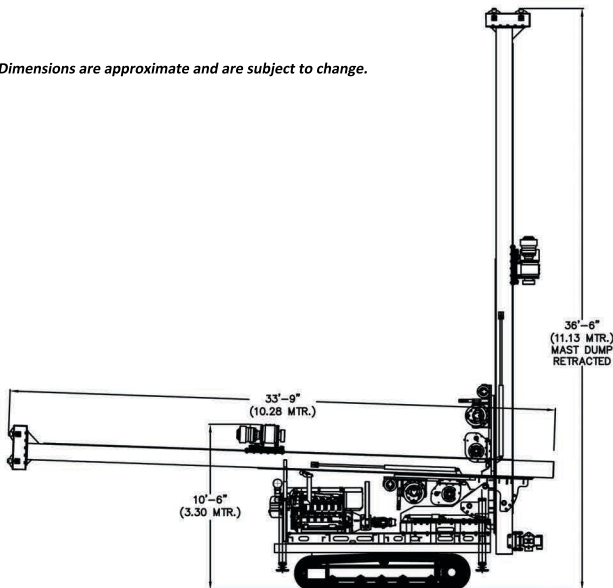
14 ft. [4.26 m] of drill head travel through a double acting cylinder. 40,000 lbs. [178 kN] of Thrust/Pull. Mast is raised and positioned by twin double acting cylinders capable of handling angle holes from vertical to 45 degrees.

Ackermatic "P" Hydraulic Chuck (Optional) -

4-5/8" [117 mm] handles all rod and casing up to "P" wireline and "H" casing. Assembly includes one set of five double row carbide insert jaws when purchased with complete package.

Slide Base - In/Out (Standard), Side/Side (Optional)

* Dimensions are approximate and are subject to change.



MP-HD



18,000 lb. [80 kN] Main Winch

Rod Clamp / Breakout Wrench (Optional) -

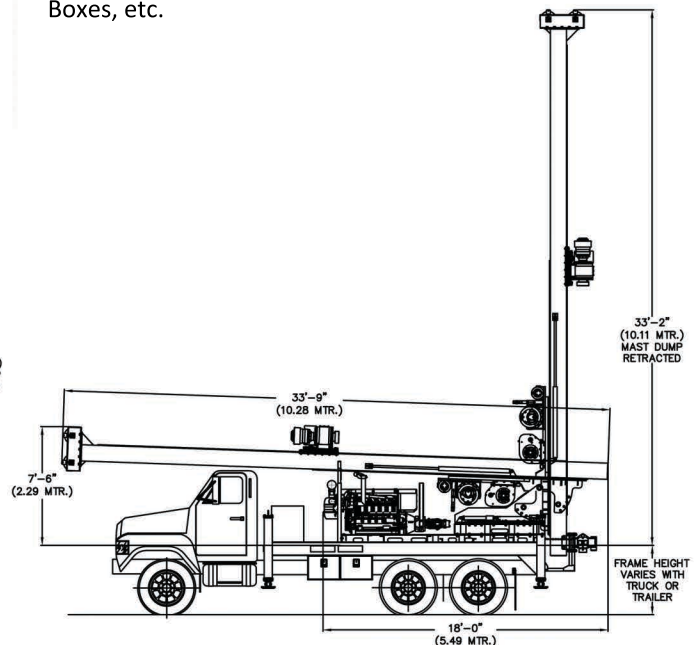
Hydraulic Rod Clamp grabs rods and casings up to 6-5/8" [168 mm]. Hydraulic Breakout Wrench provides up to 6-5/8" [168 mm] capacity to break rod.

Mounting -

The entire drill is mounted on a structural steel flat base frame. Truck, track, trailer, skid, ATV mounting available.

Available Options -

Various Mounting Options, Various Winches, Various Water Pumps, Water Tank, Auto-Hammer, Cathead, Rod Racks, Tool Boxes, etc.



acker
DRILL COMPANY

P.O. Box 830, Scranton, PA 18501 USA

Toll Free: 800.752.2537 Fax: 570.586.2659

E-Mail: sales@ackerdrill.com Website: www.ackerdrill.com

